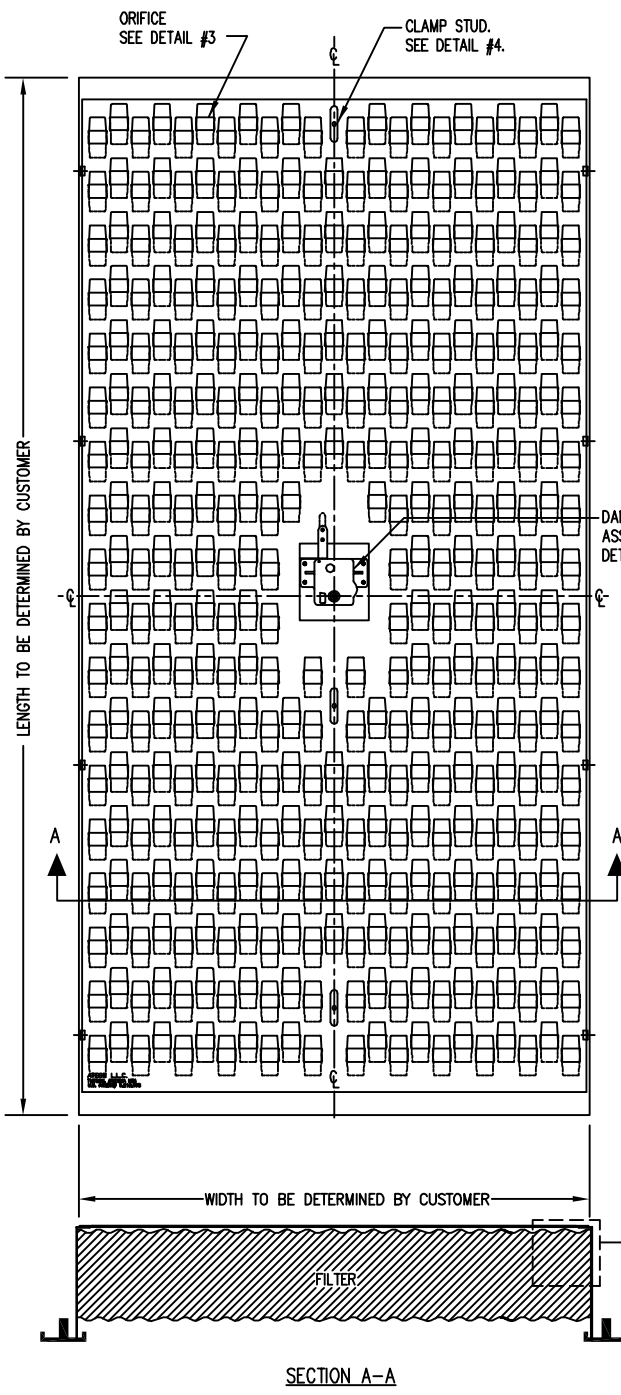
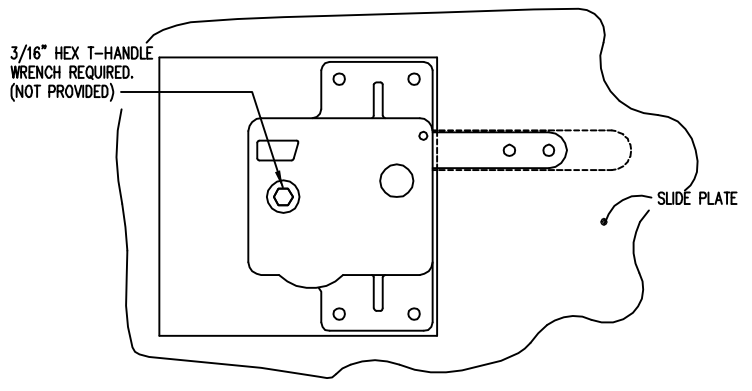


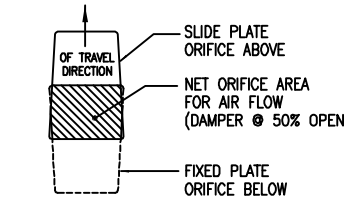
D:\P - My Documents\ATECS-DRWG\sk-47.dwg - 1/16/2003 10:26:40 AM - Aerobot PDFWriter



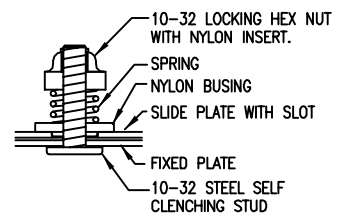
1 FLAT PLATE DAMPER ASSEMBLY



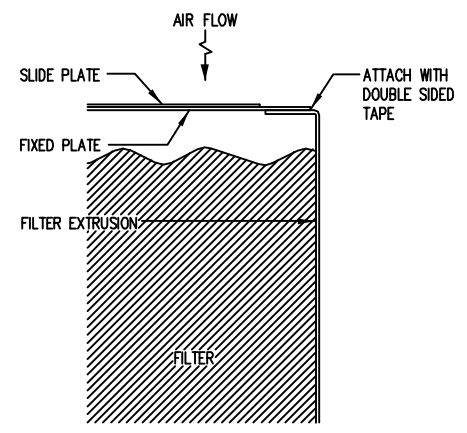
2 DAMPER ADJUSTMENT ASSEMBLY



3 ORIFICE DETAIL



4 CLAMP STUD DETAIL

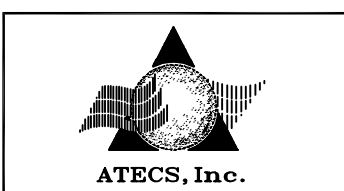


5 ENLARGED DETAIL

- MATERIALS OPTIONS:
- STAINLESS STEEL
  - ALUMINUM
  - GALVANIZED STEEL

- FINISH OPTIONS:
- POWDER COAT
  - CLEAR ANODIZED
  - MILL

| REVISIONS |      |
|-----------|------|
| NO.       | DATE |
|           |      |



**FLAT PLATE DAMPER  
W/CENTER PLASTIC ADJUSTMENT  
MODEL No. PD-8A  
U.S. PATENT #5,218,998**

**DESIGN: WRA/BJN  
DRAWN: CRE  
SCALE: NTS  
DATE: 5/17/99  
DRAWING No.: SK-47**