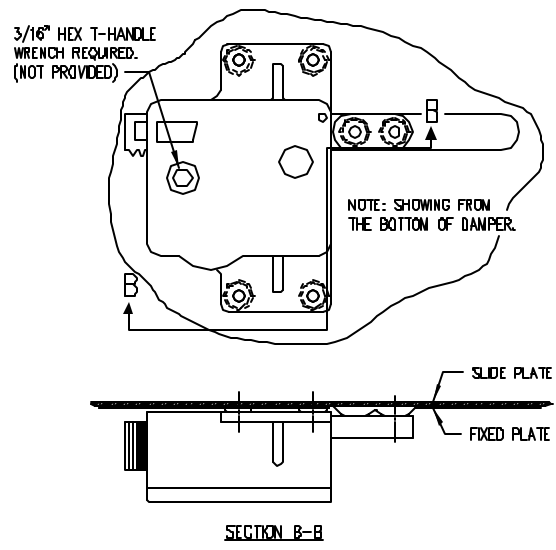
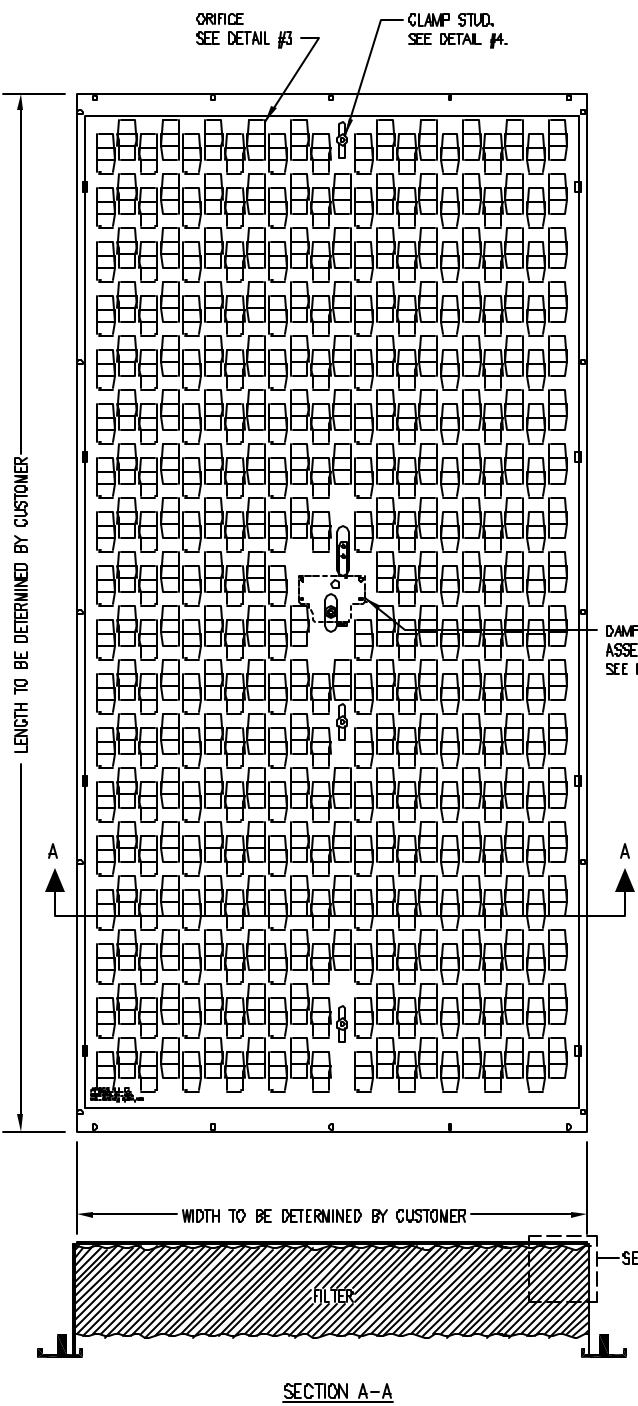
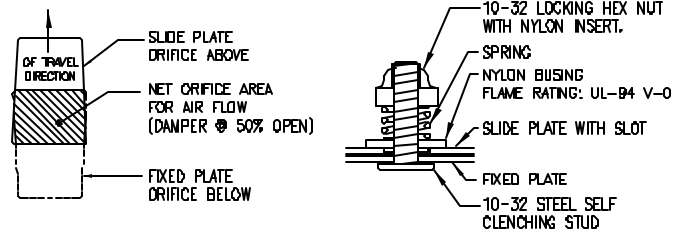


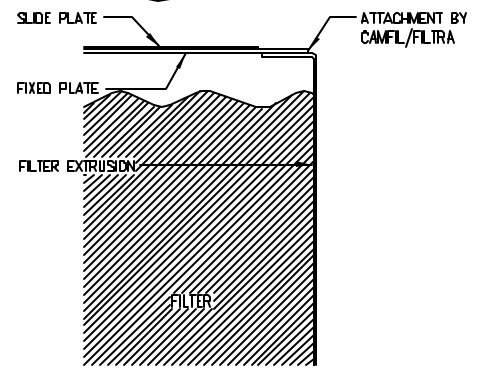
D:\P - My Documents\ATECS DRAWINGS\SK-01.dwg - 10/24/2002 11:14:58 AM - Aerobot.PDFWriter



2 DAMPER ADJUSTMENT ASSEMBLY
 ADJUSTMENT ASSEMBLY MATERIAL: HONEYWELL CAPRON NYLON 6;
 COLOR: BLACK; 25% GLASS FIBER REINFORCED, UL-94 FLAME RATING: V-0
 (GRADE: 8232G HS FR BK-102 OR EQUIVALENT).
 WEIGHT: 50 GRAMS.



3 ORIFICE DETAIL **4 CLAMP STUD DETAIL**



5 ENLARGED DETAIL

1 PLENUM DAMPER ASSEMBLY

- MATERIALS OPTIONS:**
- STAINLESS STEEL
 - ALUMINUM
 - GALVANIZED STEEL

- FINISH OPTIONS:**
- POWDER COAT
 - CLEAR ANODIZED
 - MILL

US PATENT #5,218,998

REVISIONS	
NO.	DATE



FILTER DAMPER: FLAT
MODEL No. PD-12
FLAT PLATE DAMPER
CAMFIL/FILTRA MODEL

DESIGN: BJN
DRAWN: CRE
SCALE: NTS
DATE: 02/24/02
DRAWING No.: SK-91