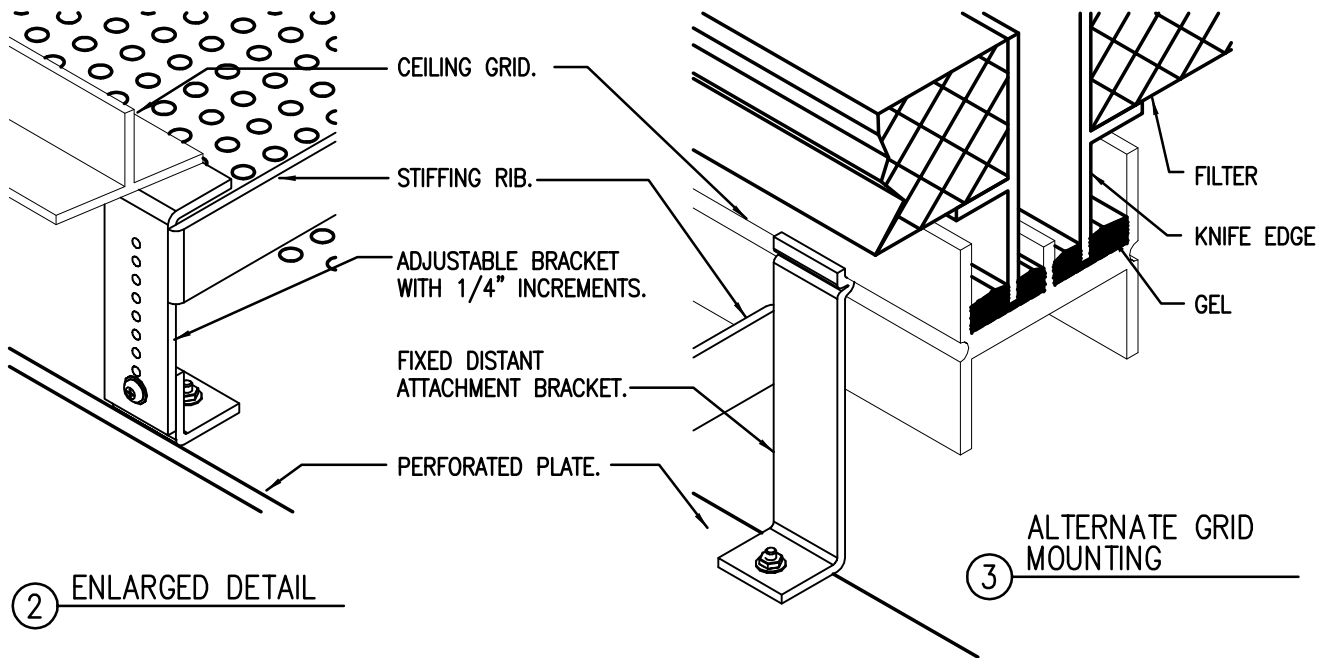


① SIDE FLOW SCREEN ASSEMBLY



② ENLARGED DETAIL

③ ALTERNATE GRID MOUNTING

D:\HD - My Documents\ATECS DRAWINGS\SK-89.dwg, 3/23/2004 10:11:46 AM, Aerobot PDFWriter

REVISIONS	
NO.	DATE



ATECS
SIDE FLOW SCREEN

DESIGN: BJB
 DRAWN: CRE
 SCALE: NONE
 DATE: 01/27/02
 DRAWING No.: SK-89