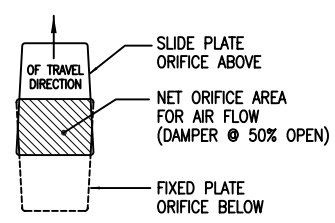
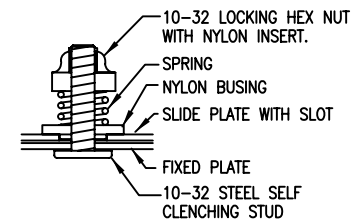


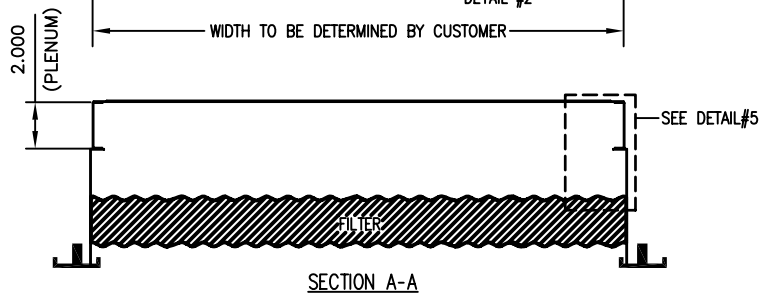
2 DAMPER ADJUSTMENT ASSEMBLY



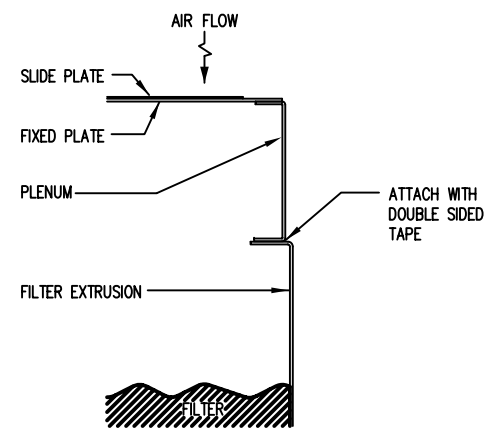
3 ORIFICE DETAIL



4 CLAMP STUD DETAIL



1 PLENUM DAMPER ASSEMBLY

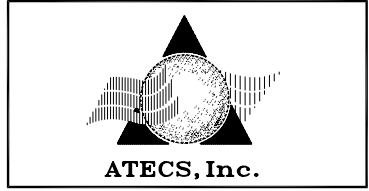


5 ENLARGED DETAIL

- MATERIALS OPTIONS:
- STAINLESS STEEL
 - ALUMINUM
 - GALVANIZED STEEL

- FINISH OPTIONS:
- POWDER COAT
 - CLEAR ANODIZED
 - MILL

REVISIONS	
NO.	DATE



24"x48" PLENUM DAMPER
 R.H. PLASTIC END ADJUSTMENT
 MODEL No. PD-5A-RT
 U.S. PATENT #5,218,998

DESIGN: WRA/BJN
 DRAWN: CRE
 SCALE: NTS
 DATE: 02/01/01
 DRAWING No.: SK-79