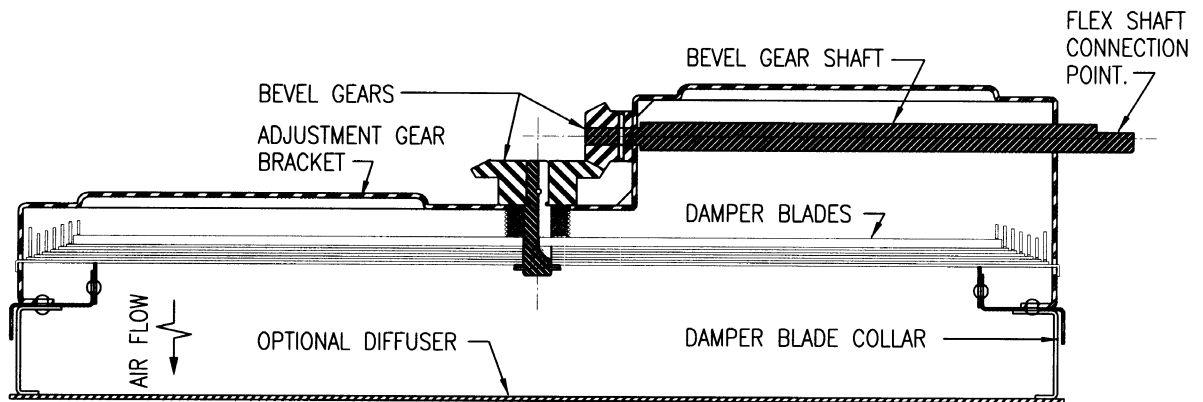
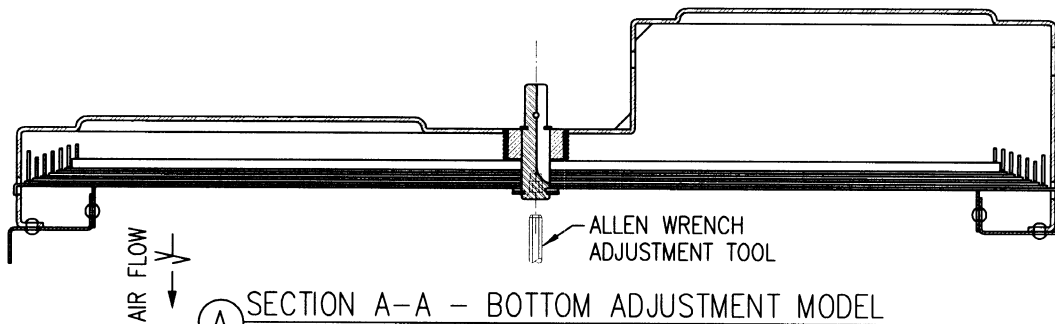


① ASSEMBLED DUCT DAMPER - ISOMETRIC VIEW

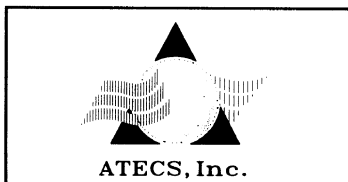


Ⓐ SECTION A-A - SIDE ADJUSTMENT MODEL



Ⓐ SECTION A-A - BOTTOM ADJUSTMENT MODEL

REVISIONS	
NO.	DATE



10", 12", 14" ϕ INTERNAL DUCT DAMPER WITH SIDE AND BOTTOM ADJUSTMENT MODELS

DESIGN:	BJN
DRAWN:	CRE
SCALE:	NONE
DATE:	03/09/02
DRAWING No.:	SK-75