

REVISIONS	NO.	DATE	BY

Advanced Technology Environmental Control
 SYSTEMS
 1055 Sharp Court
 Concord, California 94518
 Phone: 925-798-3377
 Fax: 925-798-3380

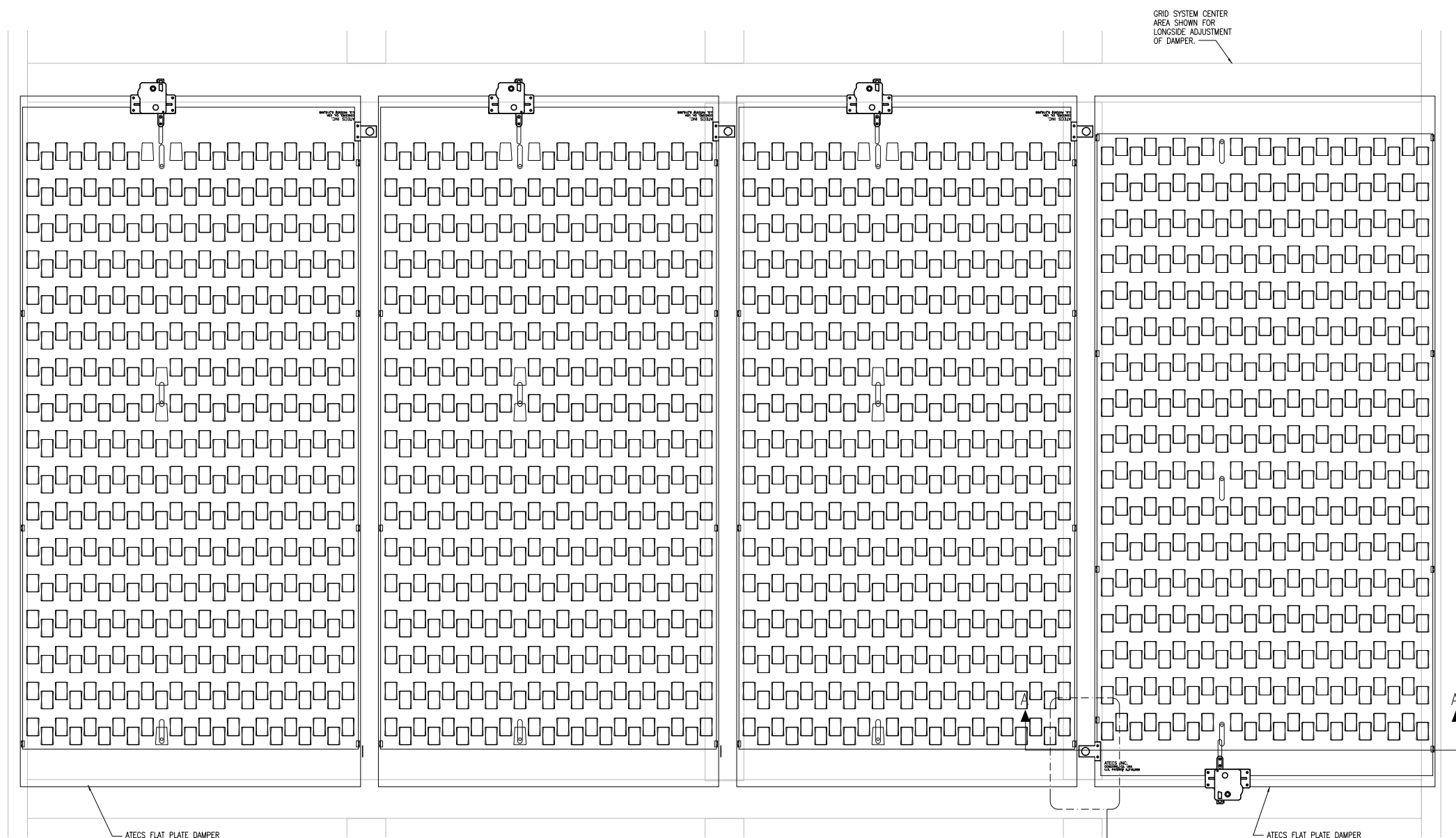


CUSTOM FLAT PLATE DAMPER
 MODIFICATIONS FOR SIDE ADJUSTMENT
 OPTIONAL LOCATION "B"

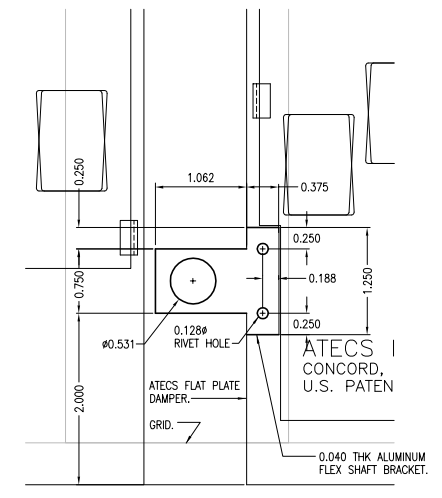
Designed By:
 BJN
 Drawn By:
 CRE
 Drawing Scale:
 AS NOTED
 Date:
 08/31/05

Drawing No.

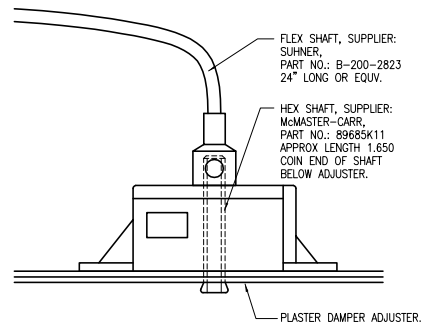
SK-115



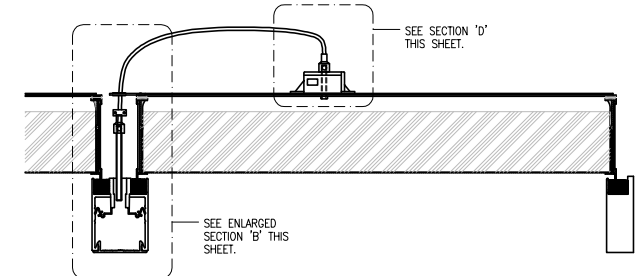
① PLENUM DAMPER AND GRID ASSEMBLY - TOP VIEW
 SCALE: 3"=1'-0"



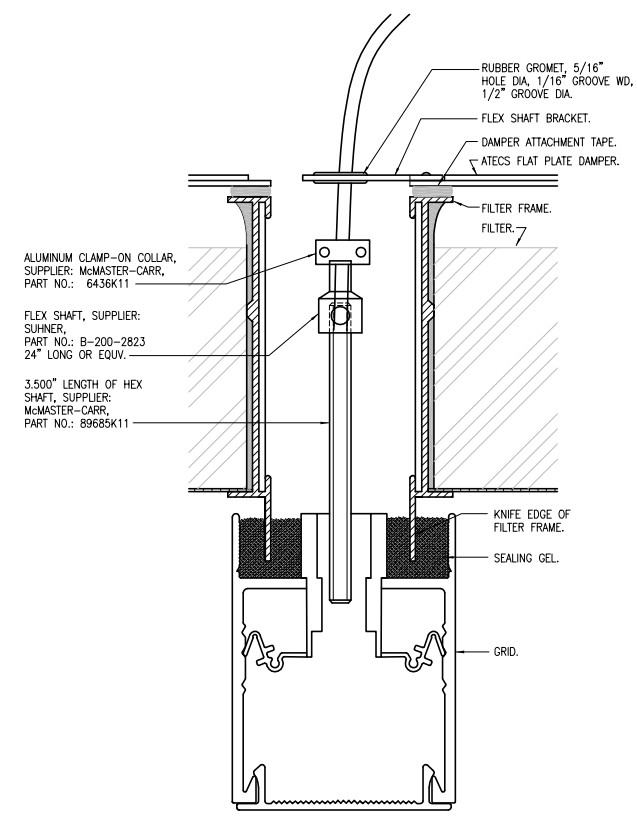
② ENLARGED DETAIL
 SCALE: 1"=1"



④ SECTION D
 SCALE: 1"=1"



⑤ SECTION A-A
 SCALE: 3"=1'-0"



⑥ ENLARGED SECTION B
 SCALE: 1"=1"

Plotfile: 05-07-05 1951 - File: SK-115.dwg - User: Chris Eggers