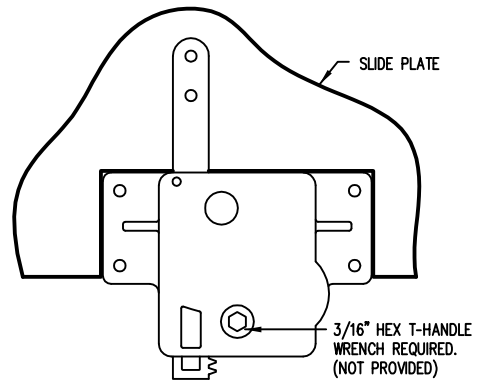
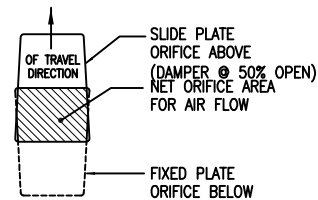


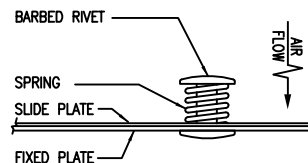
① PLENUM DAMPER ASSEMBLY



② DAMPER ADJUSTMENT ASSEMBLY



③ ORIFICE DETAIL



④ BARBED RIVET DETAIL

MATERIALS OPTIONS:

- STAINLESS STEEL
- ALUMINUM
- GALVANIZED STEEL

FINISH OPTIONS:

- POWDER COAT
- CLEAR ANODIZED
- MILL

REVISIONS	
NO.	DATE



SHEARABLE
 PLENUM DAMPER
 PLASTIC END ADJUSTMENT
 ATECS Part NO: SPD-1
 U.S. PATENT #5,218,998

DESIGN: BJN
 DRAWN: CRE
 SCALE: NTS
 DATE: 08/10/04
 DRAWING No.: SK-105