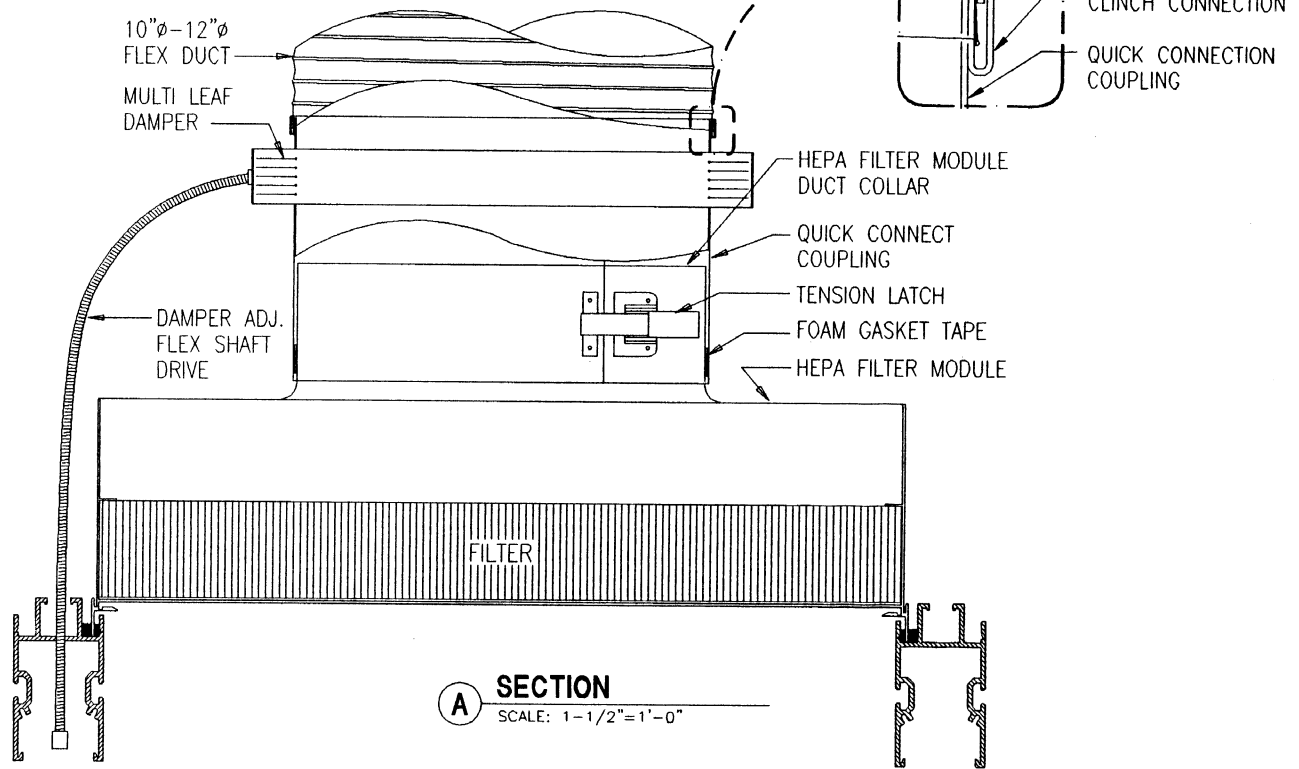


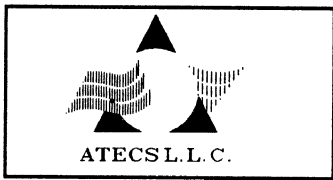
1 ISOMETRIC VIEW
SCALE: NONE

2 ENLARGED VIEW
SCALE: NONE



A SECTION
SCALE: 1-1/2"=1'-0"

REVISIONS	
NO.	DATE



FLEX DUCT
QUICK CONNECT COUPLING
WITH OPTIONAL DAMPER

DESIGN: WRA/BJN
DRAWN: CRE
SCALE: AS NOTED
DATE: 1/11/99
DRAWING No.: SK-56